

All rights reserved by **CNH Industrial**.

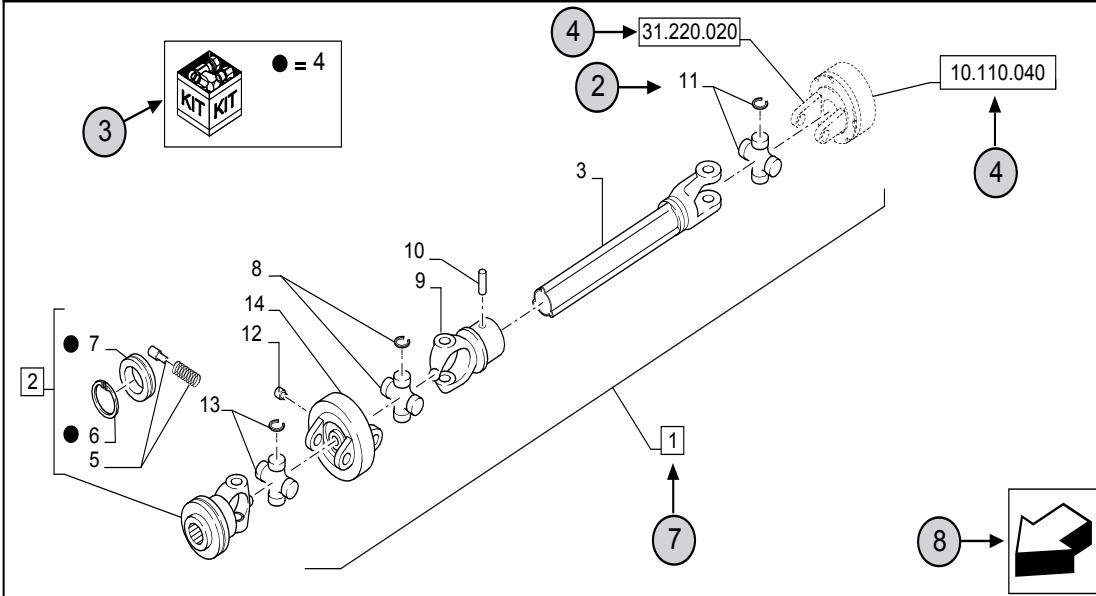
The information contained in this catalogue is intended to be of a general nature only. **CNH Industrial** may at any time and from time to time, for technical or other necessary reasons, modify any of the details or specifications of the product described in this catalogue.

To be sure of getting accurate, detailed and up-to-date information, an intending buyer should consult his nearest **CNH Industrial** dealer or distributor.

Single item numeration method used in this catalogue may not be used without written consent from **CNH Industrial**

31.220.010	01	p1	10/2014
------------	----	----	---------

VAR - 123782, 789101,987654 - PTO - D650



STANDARD ← 6

23	9	10	31.220.010	01	p1	10/2014
----	---	----	------------	----	----	---------

VAR - 123782, 789101,987654 - PTO - D650

11 12 13 14

REF	FN	PART NUMBER	YR/SN	QTY	DESCRIPTION
1	1	86529340	20	1	SHAFT PTO, Incl 2 - 11
2	15	84014007		1	YOKE, Incl 4 - 7 ← 7
3	16	NSS		1	NOT SERVICED SEPARATELY, SHAFT, 350mm, Incl in 1
4		84004292		1	KIT, Seal Kit, Incl 6, 7 ← 17
4		{84058743}		1	KIT, Seal Kit, Incl 6, 7
2				21	
18				22	
19					
		1 = FOR ITALY ONLY ← 5			

MODELS ← 1


- 1 Model Number and Model Description
- 2 Reference - Figure call-out of the part number.
- 3 Parts supplied in repair kits per symbol reference.
- 4 31.220.020 Part illustrated on the **Page** or in the **Figure** indicated, or calls for **Variations** or **Details**. Indicates components shown in detail elsewhere in the catalogue under the figure number shown.
- 5 Footnote references
- 6 Figure notes
- 7 1 2 Includes item(s) (See Description within partlist).
- 8 Orientation. (Arrow indicates front of the machine). 
- 9 Figure description.
- 10 General information of the figure.
- 11 Figure title number that aligns with the SRT. Standard Repair Time.
- 12 **Sequence** code within the assembly.
- 13 Page number within the sequence code.
- 14 **Date** of printing or updating of page (month-year).
- 15 **Note** - Relating to the Part Number. There is a key to symbols and abbreviations at the bottom of the text page.
- 16 Non-serviced parts.
- 17 Further description of the part to help confirm identification.
- 18 Not available as service part.
- 19 Part Number.
- 20 To be defined.
- 21 Total **Quantity** of the Part referred to in the page.
The quantity can be replaced by the following indications:
AR = quantity as requested.
- 22 Part **Description**.
- 23 Variant Codes

TABLE OF CONTENTS

05.100.03		FILTER & CAPACITIES, TC21D
05.100.03		FILTERS & CAPACITIES, TC21 - GEAR
05.100.03	01	FILTER & CAPACITIES, TC18
05.100.03	01	FILTERS & CAPACITIES, TC21 - HST
05.100.03	02	FILTER & CAPACITIES, TC21
06A01		CYLINDER BLOCK
06B01		CAMSHAFT, OIL PUMP & ALTERNATOR
06C01		CYLINDER HEAD & ROCKER ARM
06D01		CRANKSHAFT & PISTONS
06E01		TIMING GEAR CASE
06F01		WATER PUMP & FAN
06G01		MUFFLER
09A01		FUEL TANK & RELATED PARTS
09B01		AIR CLEANER
09C01		THROTTLE CONTROLS - HAND & FOOT
09D01		INJECTION PUMP & LINES
09D02		INJECTION PUMP ASSEMBLY
09F01		FUEL INJECTOR ASSY.
07A01		CLUTCH, CLUTCH CASE & TRANS. CASE, W/6 X 2 & W/9 X 3
07A02		CLUTCH & CLUTCH CASE, W/HYDROSTATIC TRANSMISSION
07E01		REAR TRANSMISSION CASE & SHIFTER
07F01		REAR TRANSMISSION GEARS - W/6 X 2 & W/9 X 3 TRANSMISSION
07F02		REAR TRANSMISSION GEARS - W/HYDROSTATIC TRANSMISSION
07G01		PTO GEARS
07H01		MID PTO GEARS, W/HYDROSTATIC TRANSMISSION
07H02		MID PTO GEARS - W/6 X 2 & W/9 X 3 TRANSMISSION
07H03		MID PTO KIT - W/6 X 2 & W/9 X 3
07J01		HYDROSTATIC TRANSMISSION CONTROLS
07J01	A	HYDROSTATIC TRANSMISSION ASSEMBLY
07J02		HYDROSTATIC TRANSMISSION CONTROLS - SPEED LOCK
07J03		9 X 3 TRANSMISSION - SAFETY START LINKAGE
07L01		GEARSHIFT LEVERS
07M01		PEDALS, STEPS & MATS
07M02		BRAKE CONTROLS & PEDALS
08A01		RADIATOR
04A01		BRAKE & WHEEL SHAFT CASE

TABLE OF CONTENTS

04B01	DIFFERENTIAL & DIFFERENTIAL LOCK LINKAGE
11A01	WIRING HARNESS
11B01	BATTERY
11C01	ALTERNATOR ASSEMBLY
11C02	ALTERNATOR ASSEMBLY
11D01	STARTING MOTOR ASSEMBLY
03A01	FRONT AXLE & STEERING - W/2WD
03B01	FRONT AXLE W/POWER STEERING
03B02	FRONT AXLE L/POWER STEERING
03C01	DIFFERENTIAL GEARS
03G01	STEERING COLUMN & GEAR BOX, L/POWER STEERING
03G02	STEERING COLUMN, GEARBOX & PIPING, W/POWER STEERING
03H01	POWER STEERING BOX
03I01	POWER STEERING PUMP
03J01	POWER STEERING CYLINDER ASSY.
03J02	POWER STEERING CYLINDER, ON & ASN UD32392 & UF32464
05A01	HYDRAULIC LIFT COVER & ARMS
05D01	CONTROL VALVE, QUADRANT & LINKAGE
05E01	REMOTE CONTROL VALVE & PIPING KIT
05E02	REMOTE CONTROL VALVE ASSEMBLY
05F01	HYDRAULIC PUMP & PIPING
05F02	HST PIPING & OIL COOLER
05G01	HPL CONTROL VALVE ASSEMBLY
05H01	TWO-SPOOL REMOTE CONTROL VALVE & PIPING KIT
05H02	TWO-SPOOL REMOTE CONTROL VALVE ASSEMBLY
05J01	THREE POINT LINKAGE
05L01	DRAWBAR KITS
05N01	MANIFOLD DIVERTER BLOCK
10A01	HYDRAULIC PUMP ASSEMBLY
14A01	FENDERS & RELATED PARTS
14B01	HOOD & RELATED PARTS
14B02	HOOD & RELATED PARTS
14B03	GRILLE GUARD KIT
14C01	ROLL BAR & RELATED PARTS
01A01	FRONT & REAR WHEELS
01A02	FRONT END WEIGHTS

TABLE OF CONTENTS

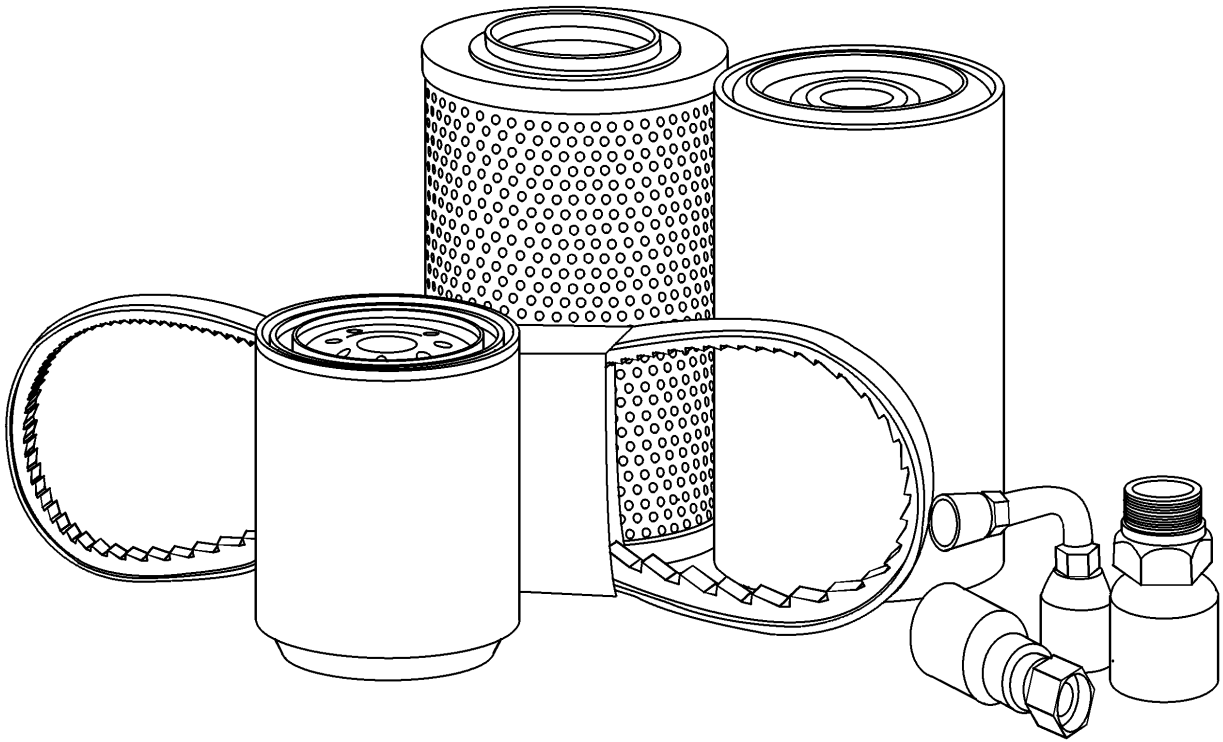
01A03	REAR WHEEL WEIGHTS
12A01	INSTRUMENT PANEL
12B01	DASHBOARD
16A01	DECALS, IDENTIFICATION
16A02	DECALS
13A01	SEAT ASSEMBLY & TOOL BOX
17A01	PAINT

SECTION INDEX

GENERAL

05.100.03		FILTER & CAPACITIES, TC21D
05.100.03		FILTERS & CAPACITIES, TC21 - GEAR
05.100.03	01	FILTER & CAPACITIES, TC18
05.100.03	01	FILTERS & CAPACITIES, TC21 - HST
05.100.03	02	FILTER & CAPACITIES, TC21

FILTER & CAPACITIES, TC21D

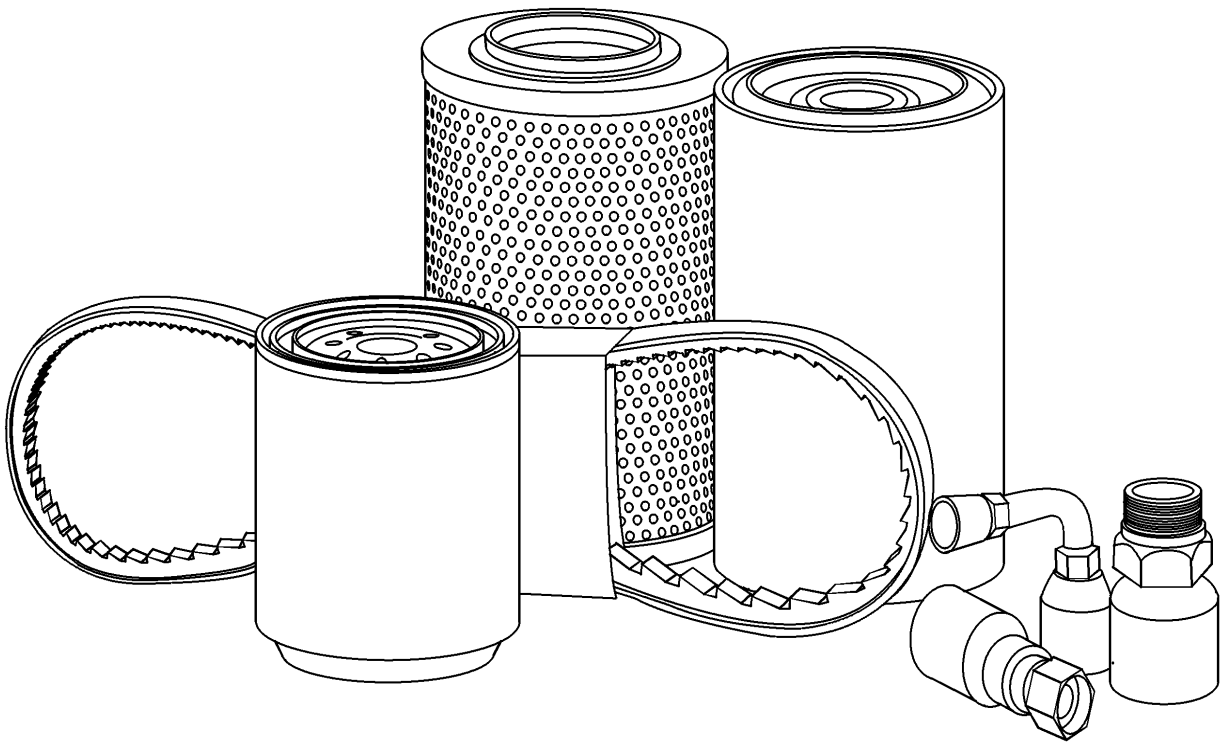


FILTER & CAPACITIES, TC21D

REF FN	PART NUMBER	YR/SN	QTY DESCRIPTION
*	CNH XHD COOLANT		ANTIFREEZE Coolant, 3.7-QT (3.5L)
1	86546623		1 ENGINE OIL FILTER
*	M-GOLD SAE10W30		OIL Engine Crankcase, W/Filter, 3.5-QT (3.3L)
*	M-GOLD SAE10W30		OIL Engine Crankcase, W/O Filter, 3.2-QT (3L)
2	{SBASBA314531174}		1 Air Filter
3	{SBASBA314531175}		1 Air Filter
4	84401812		1 HYDRAULIC OIL FILTER BSN UD33666
5	87300043		1 HYDRAULIC OIL FILTER Spin On, ASN UD33666
*	MULTI G 134		OIL Hydraulic, Rear Axle & Transmission, 4.23-Gal (16L)
6	SBA360720130		1 ELEMENT Fuel, Cartridge
*	MULTI G 134		OIL Front Axle, Hubs and Differential Each-FWD Only, Differential, 1.06-QT (1L)
*	MULTI G 134		OIL Front Axle, Hubs and Differential Each-FWD Only, Final Reduction Each Side, 0.85-QT (0.8L)
*	MULTI G 134		OIL Power Steering, Hydrostatic Only, 1.9-QT (1.8L)
*	MULTI G 134		OIL Power Steering, Hydrostatic Only, 1.5-QT (1.4L)

TC21D-3 CYL COMPACT TRACTOR

FILTERS & CAPACITIES, TC21 - GEAR

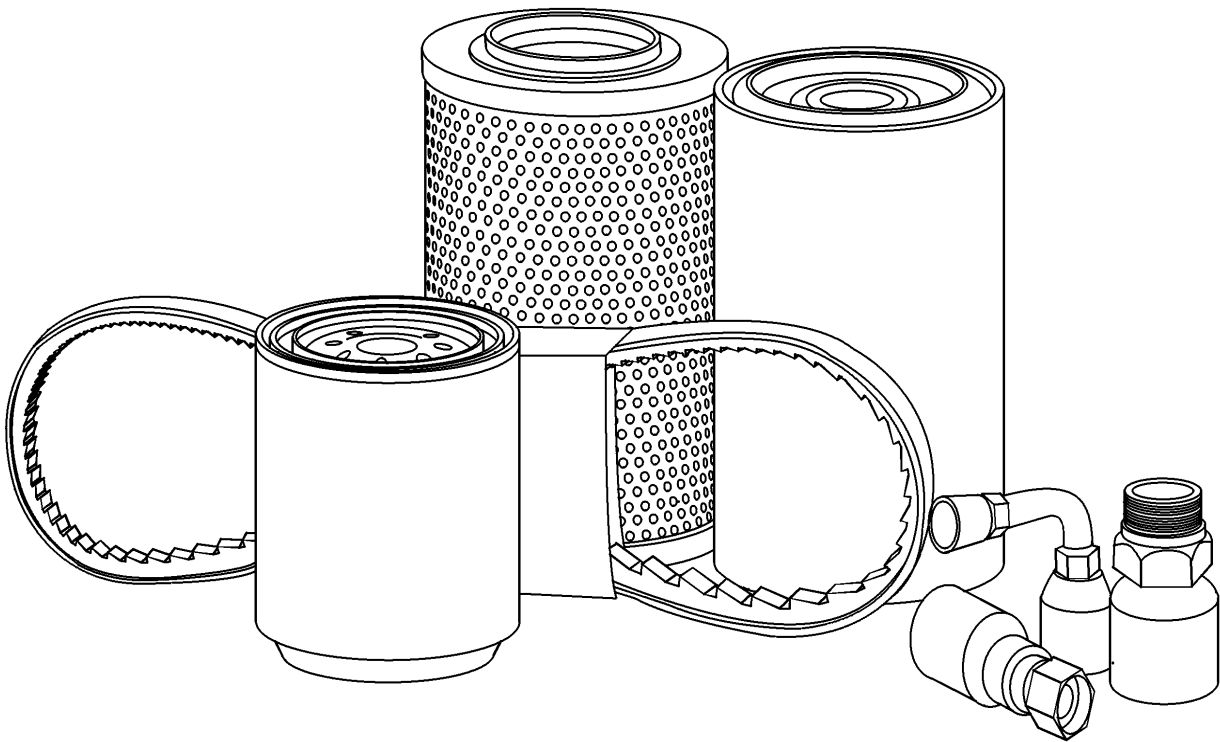


FILTERS & CAPACITIES, TC21 - GEAR

REF FN	PART NUMBER	YR/SN	QTY DESCRIPTION
*	CNH XHD COOLANT		ANTIFREEZE Engine, 3.7-Qt
1	86546623		1 ENGINE OIL FILTER
*	M-GOLD SAE10W30		OIL Engine Crankcase Oil, 2.9-Qt
2	SBA314531174		1 AIR FILTER Primary
3	SBA314531175		1 AIR FILTER Secondary
*	MULTI G 134		OIL Transmission Oil, 4.23-Gal
4	SBA360720020		1 FUEL FILTER
*	MULTI G 134		OIL Front Differential MFD Only, 1.06-Qt
*	MULTI G 134		OIL MFD Planetaries, 0.85-QT

TC21-3 CYL COMPACT TRACTOR

FILTER & CAPACITIES, TC18

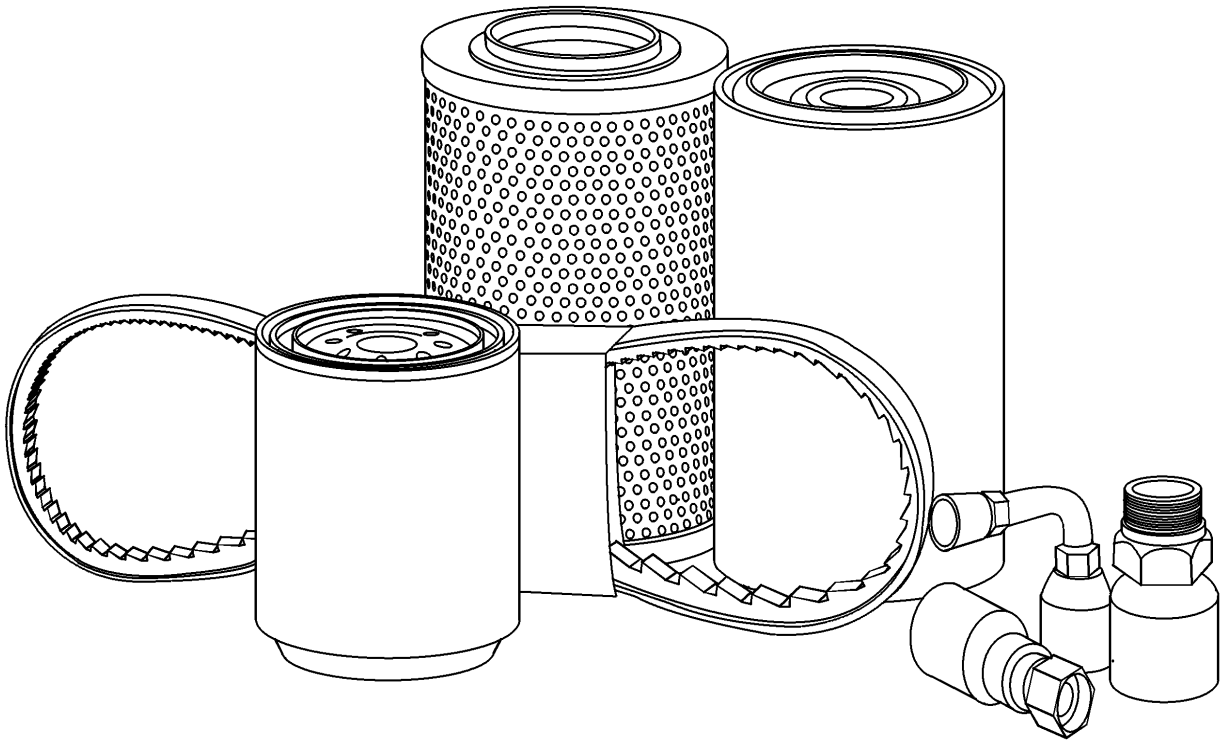


FILTER & CAPACITIES, TC18

REF FN	PART NUMBER	YR/SN	QTY DESCRIPTION
*	CNH XHD COOLANT		ANTIFREEZE Coolant, 3.7-QT (3.5L)
1	86546623		1 ENGINE OIL FILTER Spin On
*	M-GOLD SAE10W30		OIL Engine Crankcase, W/Filter, 3.5-QT (3.3L)
*	M-GOLD SAE10W30		OIL Engine Crankcase, W/O Filter, 3.2-QT (3L)
*	M-GOLD SAE10W30		OIL Engine Crankcase, W/Filter, 2.7-QT (2.6L)
2	{SBASBA314531174}		1 Air Filter
3	{SBASBA314531175}		1 Air Filter
4	84401812		1 HYDRAULIC OIL FILTER BSN UD33666
5	87300043		1 HYDRAULIC OIL FILTER Spin On, ASN UD33666
*	MULTI G 134		OIL Hydraulic, Rear Axle & Transmission, 4.3-Gal (16.3L)
6	SBA360720130		1 ELEMENT Fuel, Cartridge
*	MULTI G 134		OIL Front Axle, Hubs and Differential Each-FWD Only, Differential, 1.06-QT (1L)
*	MULTI G 134		OIL Front Axle, Hubs and Differential Each-FWD Only, Final Reduction Each Side, 0.38-QT (0.4L)
*	MULTI G 134		OIL Power Steering, Hydrostatic Only, 1.9-QT (1.8L)

TC18-3 CYL COMPACT TRACTOR

FILTERS & CAPACITIES, TC21 - HST



05.100.03

01

p1

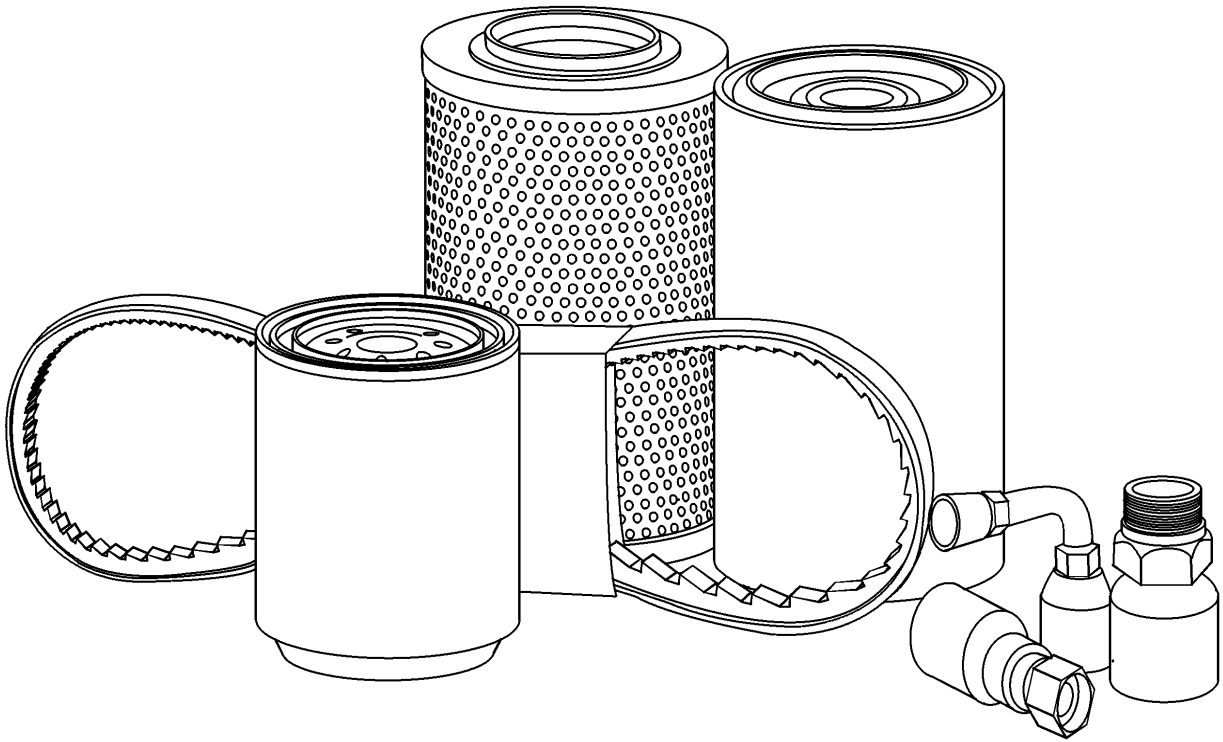
2/2017

FILTERS & CAPACITIES, TC21 - HST

REF FN	PART NUMBER	YR/SN	QTY DESCRIPTION
*	CNH XHD COOLANT		ANTIFREEZE Engine, 3.7-Qt
1	86546623		1 ENGINE OIL FILTER
*	M-GOLD SAE10W30		OIL Engine Crankcase Oil, 2.9-Qt
2	SBA314531174		1 AIR FILTER Primary
3	SBA314531175		1 AIR FILTER Secondary
4	SBA340501030		1 FILTER Hydraulic Oil
*	MULTI G 134		OIL Transmission, 4.23-Gal
5	SBA360720020		1 FUEL FILTER
*	MULTI G 134		OIL Front Differential MFD Only, 1.06-Qt
*	MULTI G 134		OIL MFD Planetaries, 0.85-QT

TC21-3 CYL COMPACT TRACTOR

FILTER & CAPACITIES, TC21



FILTER & CAPACITIES, TC21

REF FN	PART NUMBER	YR/SN	QTY DESCRIPTION
*	CNH XHD COOLANT		ANTIFREEZE Coolant, 3.7-QT (3.5L)
1	86546623		1 ENGINE OIL FILTER
*	M-GOLD SAE10W30		OIL Engine Crankcase, W/Filter, 3.5-QT (3.3L)
*	M-GOLD SAE10W30		OIL Engine Crankcase, W/O Filter, 3.2-QT (3L)
2	{SBASBA314531174}		1 Air Filter
3	{SBASBA314531175}		1 Air Filter
4	84401812		1 HYDRAULIC OIL FILTER
5	87300043		1 HYDRAULIC OIL FILTER Spin On
*	MULTI G 134		OIL Hydraulic, Rear Axle & Transmission, 4.23-Gal (16L)
6	SBA360720130		1 ELEMENT Fuel, Cartridge
*	MULTI G 134		OIL Front Axle, Hubs and Differential Each-FWD Only, Differential, 1.06-QT (1L)
*	MULTI G 134		OIL Front Axle, Hubs and Differential Each-FWD Only, Final Reduction Each Side, 0.38-QT (0.4L)
*	MULTI G 134		OIL Power Steering, Hydrostatic Only, 1.9-QT (1.8L)
*	MULTI G 134		OIL Power Steering, Hydrostatic Only, 1.5-QT (1.4L)

TC21-3 CYL COMPACT TRACTOR

SECTION INDEX

ENGINE

06A01	CYLINDER BLOCK
06B01	CAMSHAFT, OIL PUMP & ALTERNATOR
06C01	CYLINDER HEAD & ROCKER ARM
06D01	CRANKSHAFT & PISTONS
06E01	TIMING GEAR CASE
06F01	WATER PUMP & FAN
06G01	MUFFLER

**Thanks very much for your reading,
Want to get more information,
Please click here, Then get the complete
manual**

JustClickHere 

NOTE:

**If there is no response to click on the link above,
please download the PDF document first, and then
click on it.**

**Have any questions please write to me:
admin@servicemanualperfect.com**